

ISLANDER™ SERIES

Aruba 5 Waste/Windshield Service Center

Perfect for high traffic areas, the Aruba 5, Single-sided Waste/Windshield service Center combines one full-service windshield cleaning kit with a large 42-gallon waste container to service both sides of the pump island.

The Aruba 5 promotes cleanliness at the Pump Island, with the dome lid incorporating a hand-sanitizer and glove dispenser on two sides of the unit. You save on freight, because the windshield Service Center ships inside the waste container – only one carton!

KEY BENEFITS & FEATURES:

- Durable and built to last in the harshest weather conditions
- Environmentally-friendly containers, molded from long-lasting recycled polyethylene that won't rust, dent, chip and is graffiti-resistant
- Material is easy to maintain and clean, saving you time and hassle-free maintenance
- Dome lid includes two built-in glove dispensers and two Sintra panels for the hand sanitizers.
- Generous 42-gallon capacity, container uses standard 45-gallon trash bags.
- Unique, patented Grab Bag® system secures the trash bag in place for a clean appearance
- Double-sided dome lid includes two large 13" x 6.75" trash openings (opposite sides) and snap-fit closure secures lid in place
- Glove dispenser accommodates two box sizes: 2.25"H x 4.75"W x 9.5L or 2.75"H x 8.25"W x 10.5"L
- Hand Sanitizer dispenser must not exceed width of 6.15" and height of 11.05"
- Security options available and sold separately. Bolt-down hardware #793100 and base-to-lid
- Minimal assembly required

*Wipes, Hand Sanitizer, and Gloves are not included

COLOR OPTIONS:



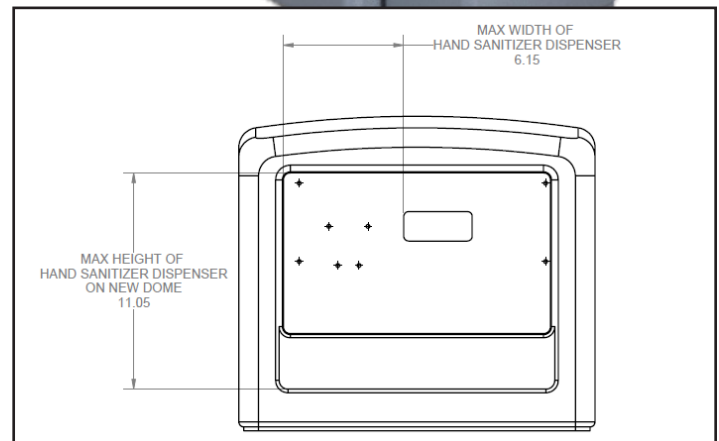
Gray

ITEM #: 757003
UPC: 653410009127



Black

ITEM #: 757001
UPC: 653410011977



DIMENSIONS:

ASSEMBLED DIMENSIONS	ASSEMBLED WEIGHT	CAPACITY	TRASH OPENING SIZE	ASSEMBLY REQUIRED	ADA COMPLIANT	WARRANTY	RECYCLED MATERIAL
41.75"H x 18"W x 25.5"L	41 lbs	42-Gallon	13" x 6.75"	Yes	Yes	1-year	25%+

SHIPPING DIMENSIONS:

SHIPPING SPECS	# OF CARTONS	CARTON SIZE	CARTON WEIGHT	DIMENSIONAL WEIGHT	COUNTRY OF ORIGIN	FREIGHT CLASS	HTS CODE	NMFC CODE
WSC + BASE	1	20" x 20" x 43"	30 lbs	104 lbs	USA	250	3924.90.5650	156600

Contact Information:

Email: cpsservice@commercialzone.com

Phone: 1.800.782.7273

2727 W. Good Hope Rd, Milwaukee WI, 53209

www.commercialzone.com

